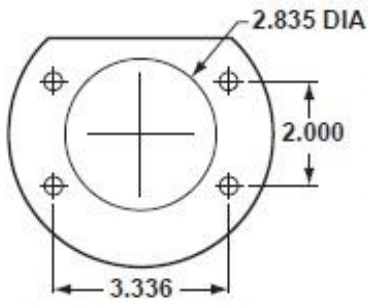
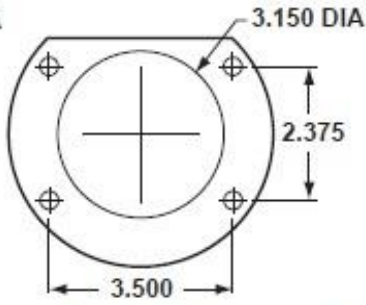


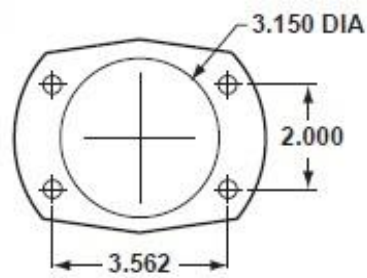
MOUNTING FLANGE CHART



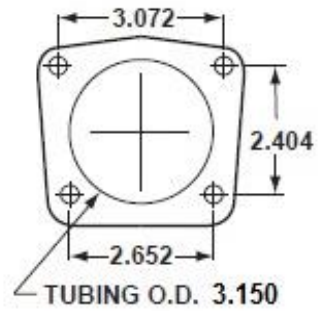
SMALL FORD



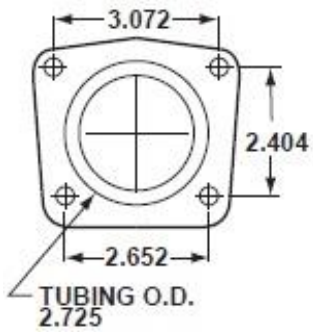
BIG FORD



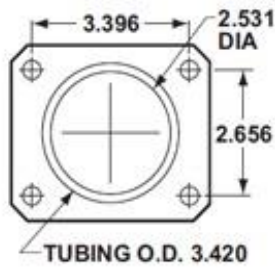
BIG FORD (NEW STYLE)



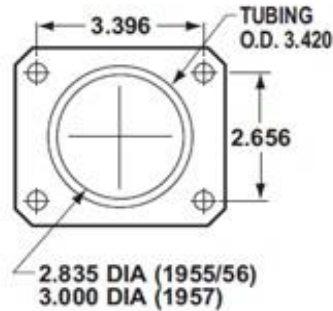
GM Non C-Clip 10/12 Bolt Car



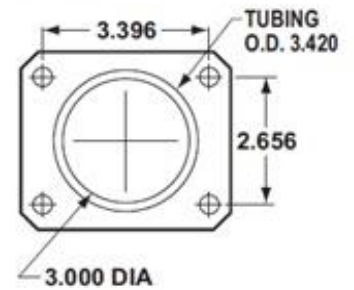
GM C-Clip 10/12 Bolt Car



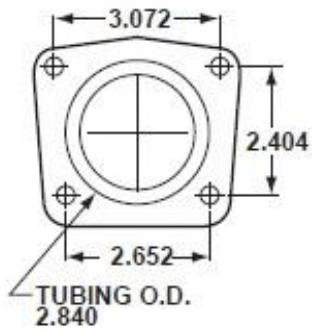
CHEVY C10



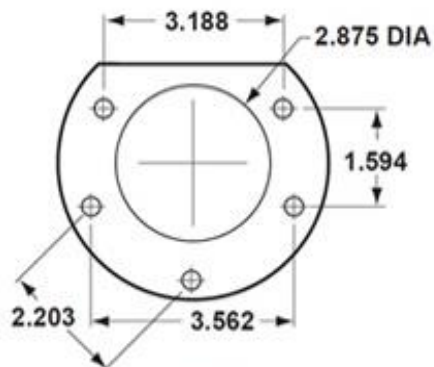
**1955-1957 CHEVY
1956 CORVETTE**



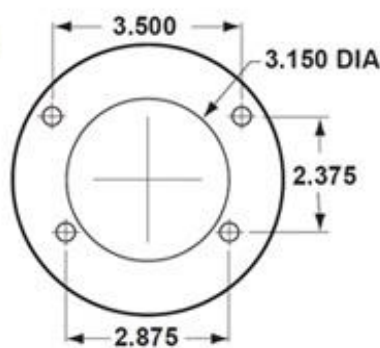
**1957-1962 CORVETTE
1959-1964 IMPALA**



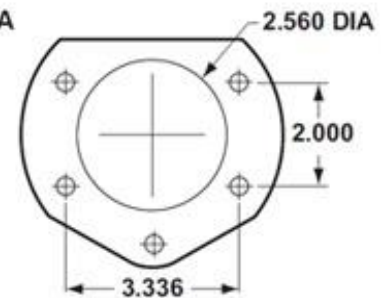
**12 BOLT-LATE
1993-2002 CAMARO**



**8-3/4 AND 9-3/4
MOPAR / DANA 60**



OLDS / PONTIAC



AMC