

LEED
BRAKES

NEW

REAR DISC BRAKE CONVERSION KITS

For OBS GM C/K 1500 Trucks

Upgrade your 1988-1998 C/K 1500 OBS GM Truck to rear disc brakes with our bolt-on rear disc brake conversion kit.

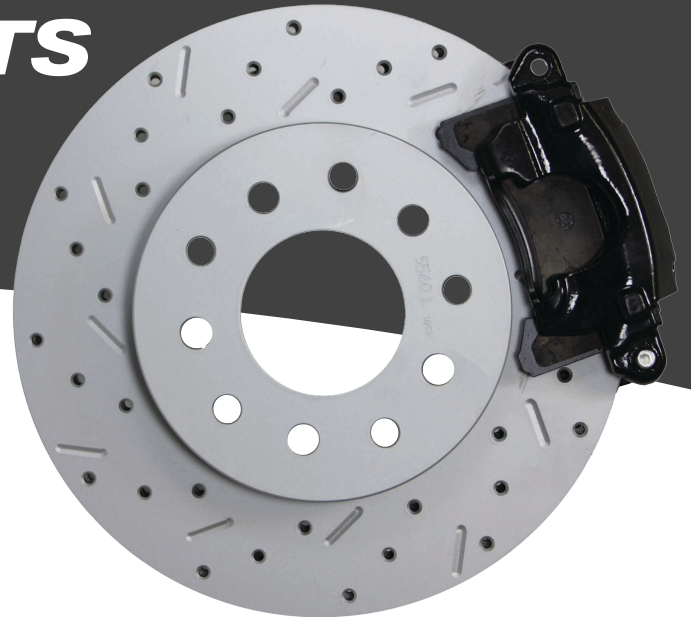
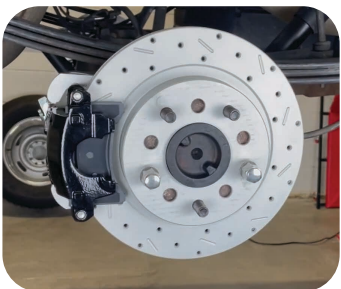
Each kit contains all of the necessary components for mounting the Rear Disc Brake Conversion kits to the factory rear axle on your vehicle. The bolt-on mounting brackets are designed to allow for 6 different caliper mounting positions with no cutting or drilling. Each kit includes 11.5" brake rotors, and 54 mm single piston calipers with built-in parking brake to fit in most 15" and larger stock and aftermarket wheels.

All mounting hardware, brake hoses, and a complete step-by-step installation guide are also included.

Available with or without MaxGrip Rotors and Powder Coated Caliper (Black or Red).

SKUS RC6003 & RC6004 Kits fit 88-98 C1500 2wd
SKUS RC6005 & RC6006 Kits fit 88-98 K1500 4wd
FC6001HK – Brake Master Cylinder Upgrade

Pricing starts at \$749.95



SCAN QR CODE TO SHOP



Each kit contains all of the necessary components for mounting the Rear Disc Brake Conversion kits to the existing drum brake spindles of your vehicle.

